

Micro-Master

Hydrostatic coolant filtration system
Heavy duty



Micro-Master

Micro-Master a range of high efficiency gravity filters for coolants, using non-woven fabric as filter media.

Micro-Master series is available in 2 models, able to manage from 60 to 100 l/min of neat oil and from 100 to 300 l/min of water based emulsion, contaminated by magnetic or non-magnetic particles.

Micro-master's operation is simple and its efficiency is stable and constant.

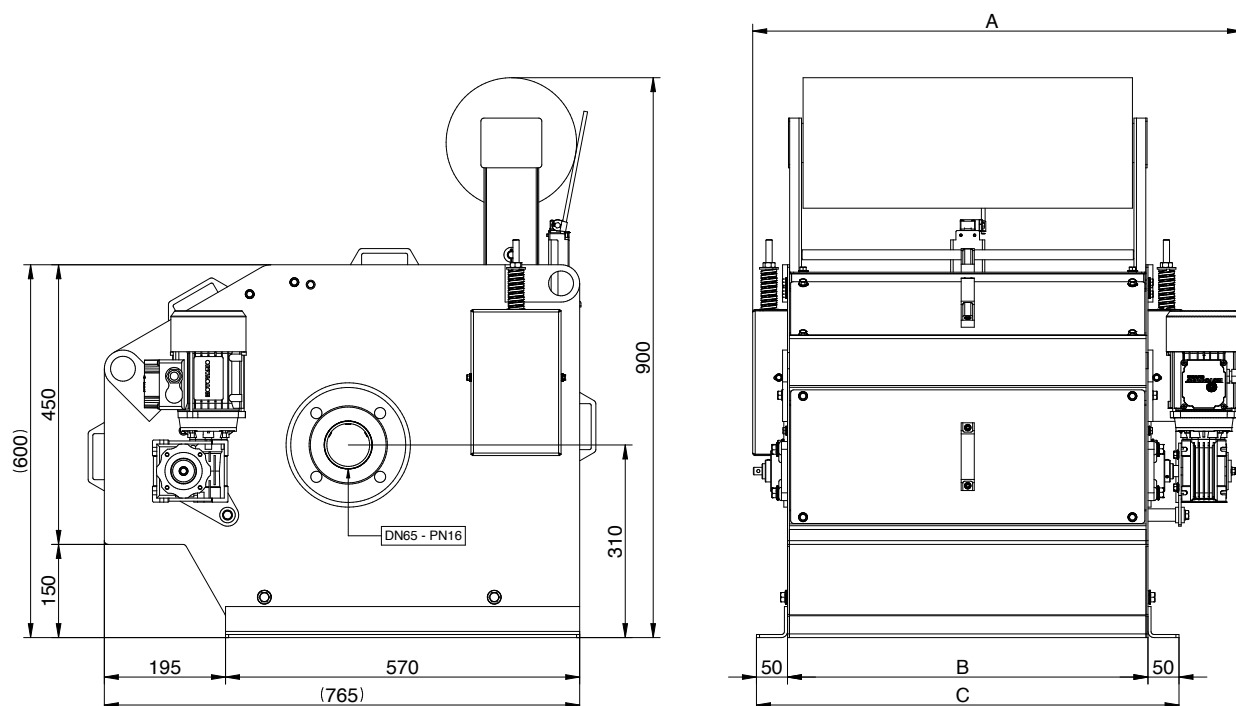
The type of filter is suitable for heavy duty machining, machining with light alloys (aluminium, brass) applications with neat oils and 24h/24h machining.



LOSMA guarantees that every single unit is individually tested through strict control procedures. Each unit is issued a test certificate for quality and function.



Technical data



MICRO- MASTER	Dimensions (mm)	
	A	B
Micro 100	790	580
Micro 200	990	780

MICRO-MASTER	Flowrate l/min*			
	Grinding (emulsion)	Finishing grinding (oil)	Drawbench (emulsion)	Washing Machines, chip removal machine (emulsion)
Micro 100	100	60	da 100 a 150	150
Micro 200	200	100	da 200 a 300	300

* Flow rates data refers to emulsion with a max. oil concentration of 5% or neat oil with a max. viscosity of 20cst at 40°C, and with a filtering media having a weight not over 35g/m². Different characteristics of the coolant to be treated, pollutant typology and its concentration could considerably influence the filtration system's performances. Our Technical Dept. is available for studying the best solution for your requirements.



Health



Savings



Efficiency



Environment



Safety



Losma SpA

HQ:

Via E. Fermi, 16 - 24035 Curno - Bergamo
Tel. +39 035 461444 - Fax +39 035 461671
info@losma.it - www.losma.it



ISO 9001
TUV Italia
Certified
Company



ISO 14001
TUV Italia
Certified
Company



Authorised
to use

Losma SpA

Turin office:

Via G. Brunero, 2 - 10077 San Maurizio Canavese - Torino
Tel. +39 011 9278942 - Fax +39 011 9275631
info@losma.it - www.losma.it

Losma GmbH

Siemensstr. 14/3 - 71691 Freiberg am Neckar
Tel. +49 7141 / 89971-0
info@losma.de - www.losma.de

Losma Inc.

30A Wilson Drive - Sparta - NJ 07871
Tel. + 1 973 248 0070 - Fax + 1 973 940 0950
info@losmausa.com - www.losma.com

Losma UK Ltd.

6 Strensham Business Park
WR8 9JZ Strensham Worcestershire
Tel. +44 1684 276527 - Fax +44 1684 276470
info@losma.co.uk - www.losma.co.uk

Losma Pvt Ltd.

Plot No 7A, Gat. No. 63, Shindewadi
Tal: Bhor, District: Pune - 412205 - Maharashtra
Tel. +91 9226107775
info@losma.in - www.losma.com