

Demag

Rotating discs magnetic separators



Demag

Demag is a rotating magnetic discs separator for coolants used during industrial machining contaminated by magnetic particles.

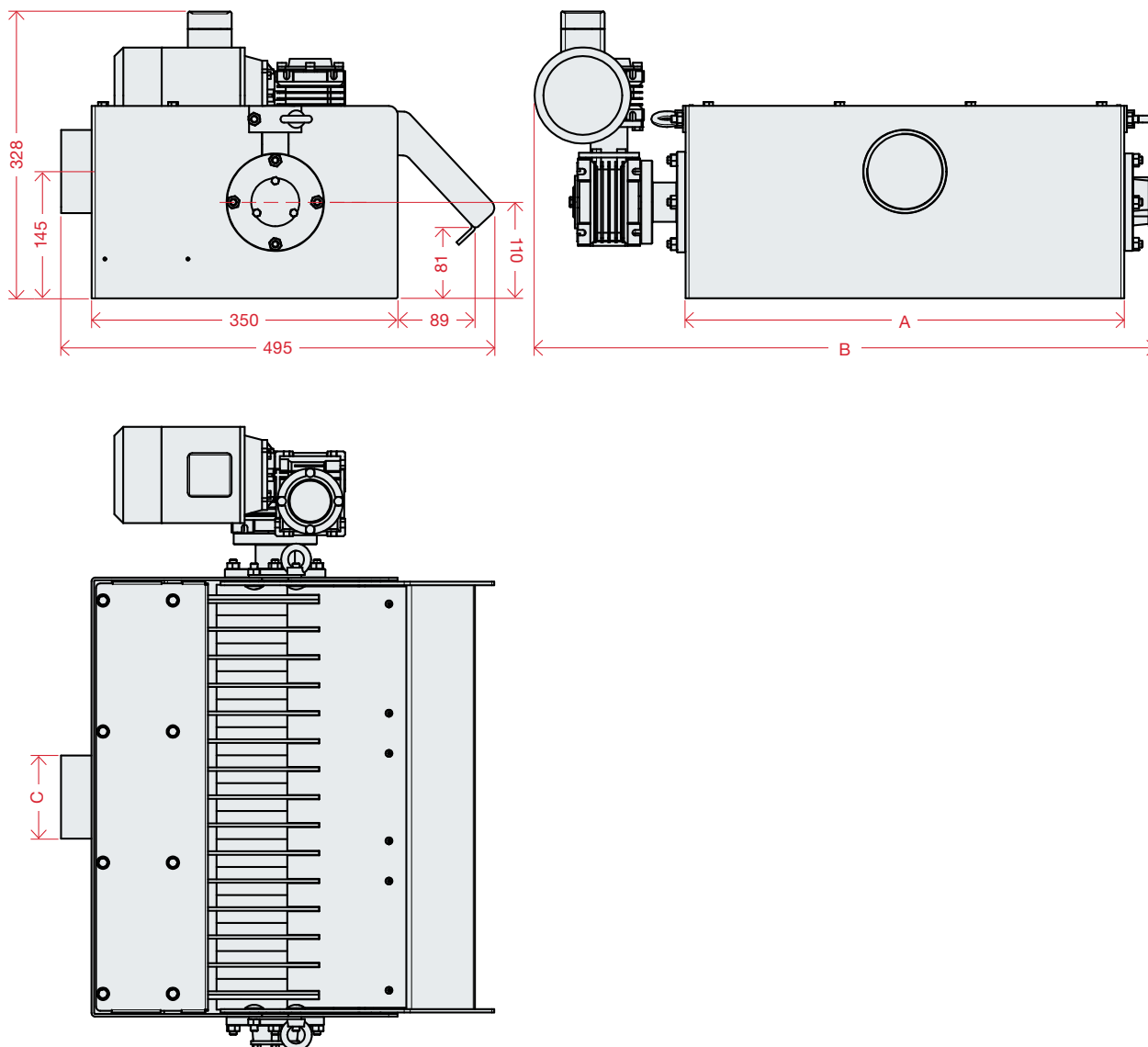
Demag series is available in 7 standard models for flowrates ranging from 50 to 400 l/min of emulsion and from 25 to 200 l/min of neat oil.



LOSMA guarantees that every single unit is individually tested through strict control procedures. Each unit is issued a test certificate for quality and function.



Demag Technical data



DMD	Dimensions			DMD	Max filtering cap. emulsion l/min	Max filtering cap. neat oil l/min	Power (kW)		Weight Kg	230 V	265 V	400 V	460 V
	A	B	C				50 (Hz)	60 (Hz)		50 Hz	60 Hz	50 Hz	60 Hz
50	160	370	3"	50	50	25	0,18	0,18	32/37	1,16	1,18	0,69	0,68
100	236	445.5	3"	100	100	50	0,18	0,18	40/45	1,16	1,18	0,69	0,68
150	350	560	3"	150	150	75	0,18	0,18	51/56	1,16	1,18	0,69	0,68
200	426	635	3"	200	200	100	0,18	0,18	60/65	1,16	1,18	0,69	0,68
250	502	710	3"	250	250	125	0,18	0,18	70/78	1,16	1,18	0,69	0,68
300	654	885	3"	300	300	150	0,18	0,18	90/NN	1,16	1,18	0,69	0,68
400	844	1080	3"	400	400	200	0,18	0,18	120/NN	1,16	1,18	0,69	0,68
500	1034	1265	3"	500	500	250	0,18	0,18	140/NN	1,16	1,18	0,69	0,68

* Technical data may change according to working conditions.

Demag Pesante

For heavy flowrates Demag Pesante was designed, are rotating magnetic discs available in 5 models, able to filter from 600 to 1800 l/min of emulsion and from 300 to 900 l/min of neat oil.

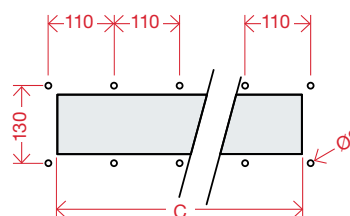
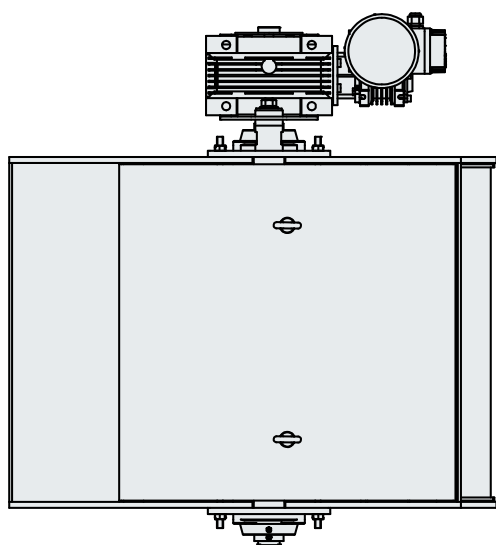
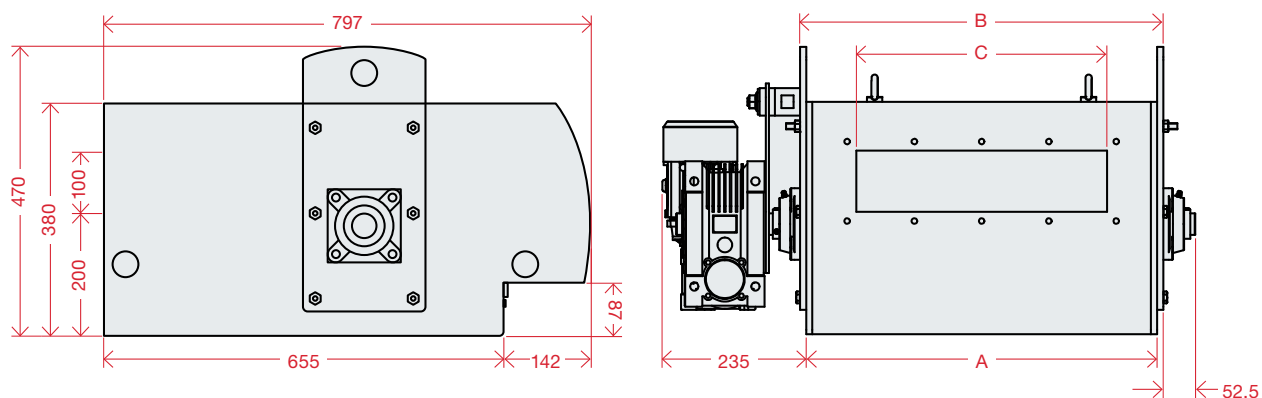
The robust structure of Demag Pesante is suitable for large machine tools, centralized applications, machining centers, grinding, deep drilling and hard machining.



LOSMA guarantees that every single unit is individually tested through strict control procedures. Each unit is issued a test certificate for quality and function.



Demag Pesante Technical data

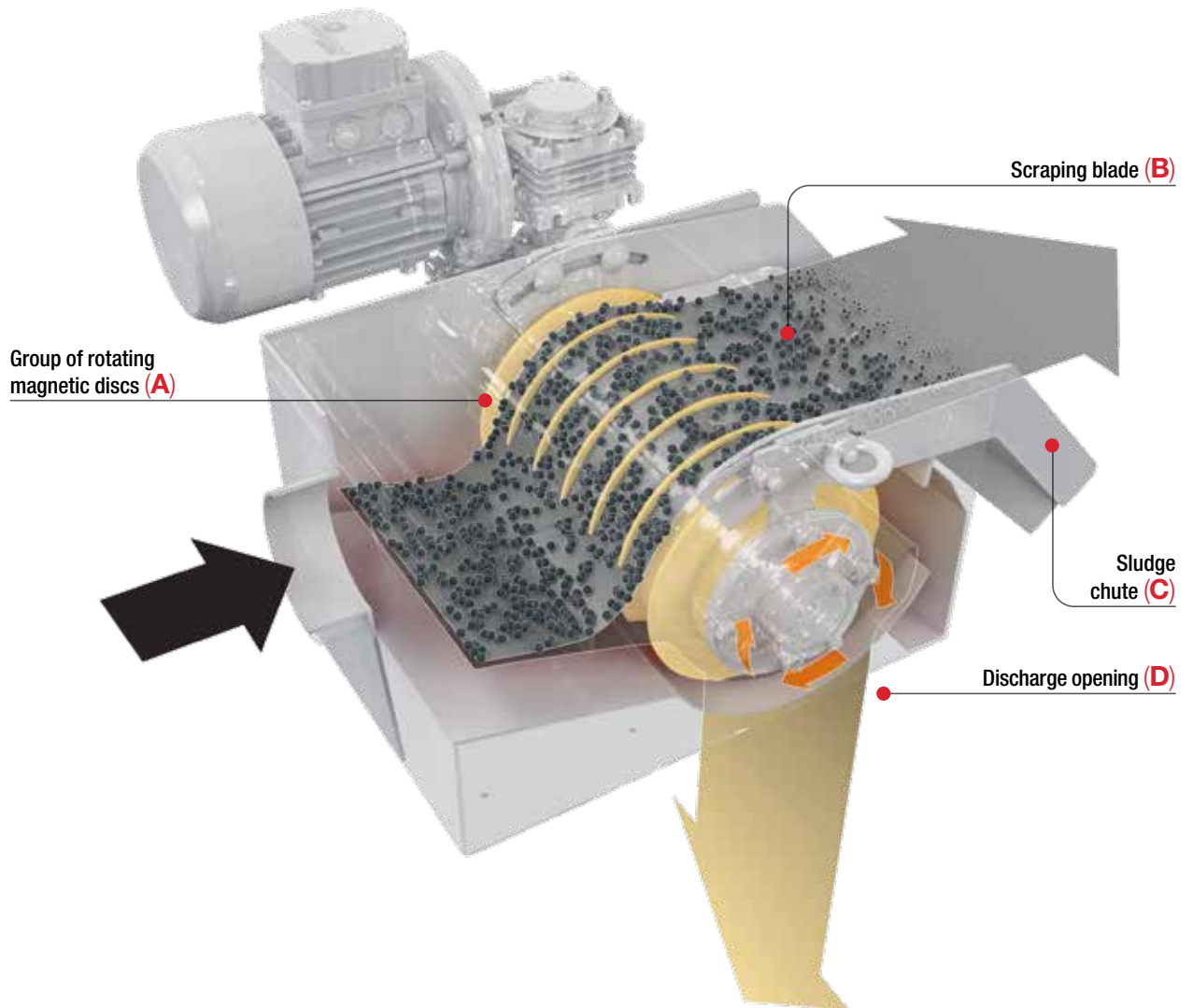


DMD-P	Dimensions		
	A	B	C
600	574	594	410
900	849	869	520
1200	1124	1144	740
1500	1398	1418	960
1800	1674	1694	1180

DMD-P	Max filtering cap. emulsion l/min	Max filtering cap. neat oil l/min	Power (kW)		Weight Kg	230 V	265 V	400 V	460 V
			50 (Hz)	60 (Hz)		50 Hz	60 Hz	50 Hz	60 Hz
			A	A		A	A	A	A
600	600	300	0,18	0,21	270	1,16	1,18	0,67	0,68
900	900	450	0,18	0,21	400	1,16	1,18	0,67	0,68
1200	1200	600	0,18	0,21	450	1,16	1,18	0,67	0,68
1500	1500	750	0,18	0,21	-	1,16	1,18	0,67	0,68
1800	1800	900	0,18	0,21	580	1,16	1,18	0,67	0,68

* Technical data may change according to working conditions.

Working principles



- 1** Contaminated coolant passes through the group of rotating magnetic discs (A), where magnetic particles are captured.
- 2** A scraping blade (B) removes the metallic particles from the rotating group, conveying them to the sludge chute (C) which collects

the waste into a tank.

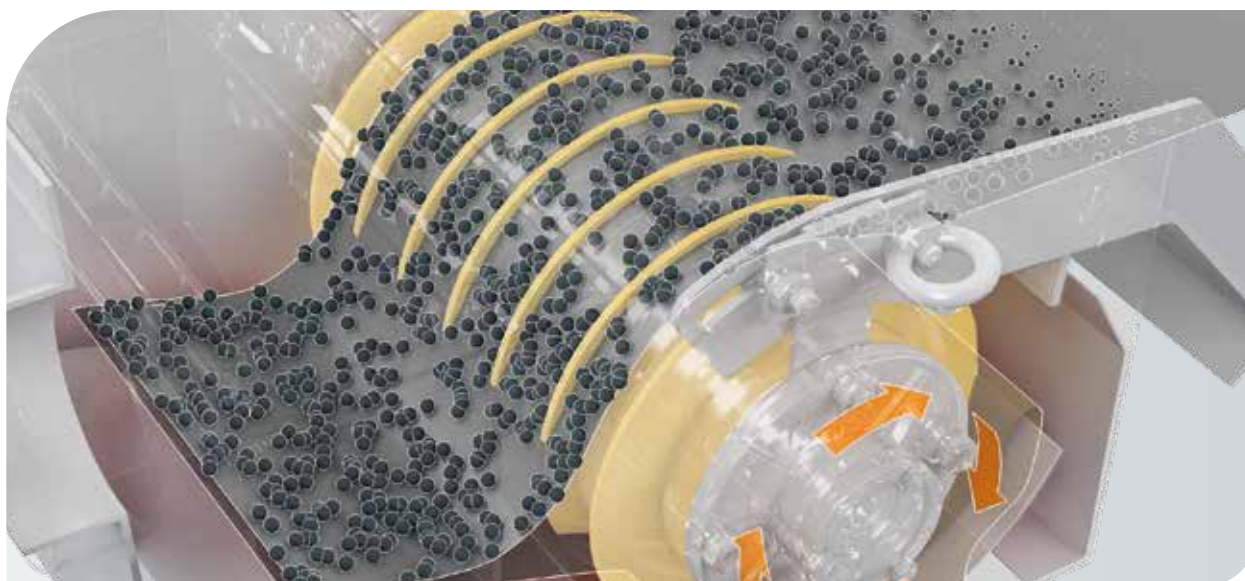
- 3** Clean oil is collected into a tank (D) and pumped back to the machine tool thanks to a dedicated pump, or is collected for a further process of fine filtration.

Plus



MODULARITY

Demag and Demag Pesante can be paired with any other filter of Losma's product range, in order to guarantee the most accurate filtration.



PERMANENT FILTERING MATERIAL

Demag and Demag Pesante do not need any consumable filter.



Health



Savings



Efficiency



Environment



Safety



Losma SpA

HQ:

Via E. Fermi, 16 - 24035 Curno - Bergamo
Tel. +39 035 461444
info@losma.it - www.losma.it



ISO 9001
TUV Italia
Certified
Company



ISO 14001
TUV Italia
Certified
Company



Authorised
to use

Losma SpA

Turin office:

Via G. Brunero, 2 - 10077 San Maurizio Canavese - Torino
Tel. +39 011 9278942
info@losma.it - www.losma.it

Losma GmbH

Siemensstr. 14/3 - 71691 Freiberg am Neckar
Tel. +49 7141 / 89971-10
info@losma.de - www.losma.de

Losma Inc.

30A Wilson Drive - Sparta - NJ 07871
Tel. +1 973 300 1044
sales@losmausa.com - www.losma.com

Losma UK Ltd.

6 Strensham Business Park
WR8 9JZ Strensham Worcestershire
Tel. +44 1684 276527
info@losma.co.uk - www.losma.co.uk

Losma Pvt Ltd.

Plot No 7A, Gat. No. 63, Shindewadi
Tal: Bhor, District: Pune - 412205 - Maharashtra
Tel. +91 92261 07775
info@losma.in - www.losma.com